

# avintage●●●

The built-in range

## Single-compartment service wine cabinet

**22 bottles\***

**AV22XI**

- 
- *Built-in installation*
  - *Cooling system: compressor (air moving system)*
  - *Adjustable temperature range of use: 4-18°C*
  - *Black metal external body*
  - *Black PVC inner liner*
  - *1 reversible glass door, anti-UV treated, 3-layers tempered glass (brown colored), stainless steel frame*
  - *Electronic regulation*
  - *3 fixed wooden shelves, metal front*



### *An Avintage innovation!*

- *Optimization of energy consumption:  
A class*
- *Door alarm*
- *Temperature alarm*



# avintage

## Reference: AV22XI

- **Ambient temperature range of use:**  
16°-32°C
- **Equipments included:**  
White LED lights with ON/OFF switch button  
Anti-vibration system  
Thermometer with electronic display (white)
- **Technical characteristics:**  
Voltage: 220-240 V  
Power input: 70.0 W  
Annual electrical consumption: 139.0 kWh  
Energy class: A  
Climatic class: N  
Noise level: 43.0 dB

- **Logistic datas:**

Dimension UVC (W x D x H cm):

Packed: 64x64x51  
Unpacked: 59x55.7x45.50

Weight UVC (Kg):

Gross: 31,00  
Net: 27,00

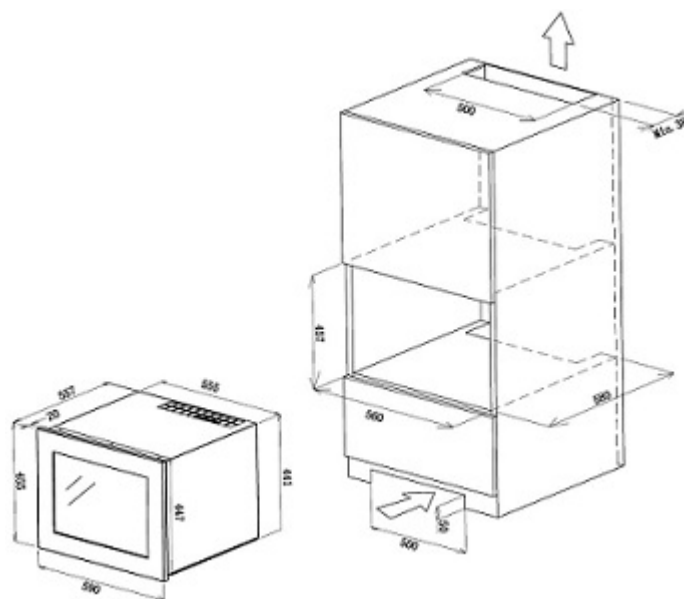
Pallet dimensions (cm): 0

Full truck (UVC): 0

Container (UVC):

20': 108  
40': 216  
40' HC: 270

Gencod UVC: 3595320104486



Non-contractual pictures

\* Capacity given with 75cl Bordeaux traditional type bottles. Adding shelves reduce considerably the total capacity.