

avintage

Buil-in range

3-compartments service wine cabinet

71 bottles*

AVI94X3Z

- *Built-in installation*
- *Cooling system: compressor (air moving system)*
- *Adjustable temperature range of use:
14°-18°C/5°-11°C/11°-13°C*
- *Black metal external body*
- *Black PVC inner liner*
- *1 reversible glass door, anti-UV treated, 3-layers
tempered glass (grey-colored), stainless steel
frame*
- *Electronic regulation*
- *7 semi-sliding wooden shelves
1 fixed presentation shelf*

Avintage innovation!

Opt for the elegant design of this cabinet which will fit perfectly into your kitchen and will keep your wines at a constant temperature. Thanks to its wide adjustment range, you could bring your bottles at room temperature or bring them to service temperature.

**Capacity given as an indication without presentation shelf.
Adding shelves reduces considerably the total capacity.*



avintage

Reference: AVI94X3Z

- **Ambient temperature range of use:**
10°-32°C
- **Equipments included:**
2 adjustable feet (height 1 cm)
White LED lights with ON/OFF switch button
Anti-vibration system
Thermometer with electronic display (white)
- **Technical characteristics:**
Voltage: 220-240 V
Power input: 85 W
Annual electrical consumption: 304 kWh
Energy class: D
Climatic class: N/SN
Noise level: 43 dB

• Logistic datas:

Dimension UVC (W x D x H cm):

Packed: 65x65x128.5
Unpacked: 59.5x55.6x123

Weight UVC (Kg):

Gross: 63,00
Net: 58,00

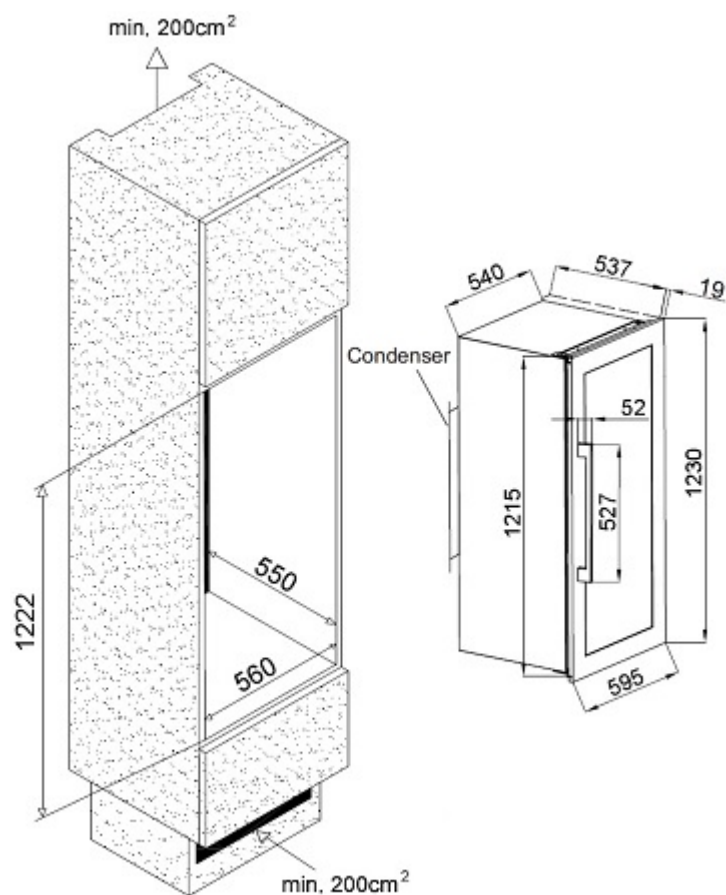
Pallet dimensions (cm): 0

Full truck (UVC): 60

Container (UVC):

20': 40
40': 81
40' HC: 108

Gencod UVC: 3595320104714



Non-contractual pictures

* Capacity given with 75cl Bordeaux traditional type bottles on 7 shelves. Adding shelves reduce considerably the total capacity.