

# avintage

## Built-under range

### 2-compartments service wine cabinet

**42 bottles\***

**AVU41SXDP**

- *Free standing and built-under counter installation*
- *Cooling system: compressor (air moving system)*
- *Adjustable temperature range of use:  
5°-20°C/5°-20°C*
- *Black metal external body*
- *Black PVC inner liner*
- *2 glass doors, anti-UV treated, 2-layers tempered glass (brown colored), stainless steel frame*
- *Electronic regulation*
- *4 semi-sliding metal shelves, wooden front*  
*4 semi-sliding metal half shelves, wooden front*

*New elegant design and optimization of energy consumption: **A class.***

*Thanks to the black shelf provided with your wine cellar, you can also arrange your opened **bottles vertically** for example!*



# avintage

## Reference: AVU41SXDPA

- **Ambient temperature range of use:**  
0°-32°C
- **Equipments included:**  
4 adjustable feet (height 6.5 cm)  
Plumbing passage  
White LED lights with ON/OFF switch button  
Anti-vibration system  
Removable aeration system  
Winter system  
Water tray to maintain proper hygrometry  
Thermometer with electronic display (white)
- **Technical characteristics:**  
Voltage: 220-240 V  
Power input: 107 W  
Annual electrical consumption: 144 kWh  
Energy class: A  
Climatic class: N  
Noise level: 43 dB

- **Logistic datas:**

Dimension UVC (W x D x H cm):

Packed: 65.5x66.5x87  
Unpacked: 59.5x57.1x82

Weight UVC (Kg):

Gross: 52,00  
Net: 48,00

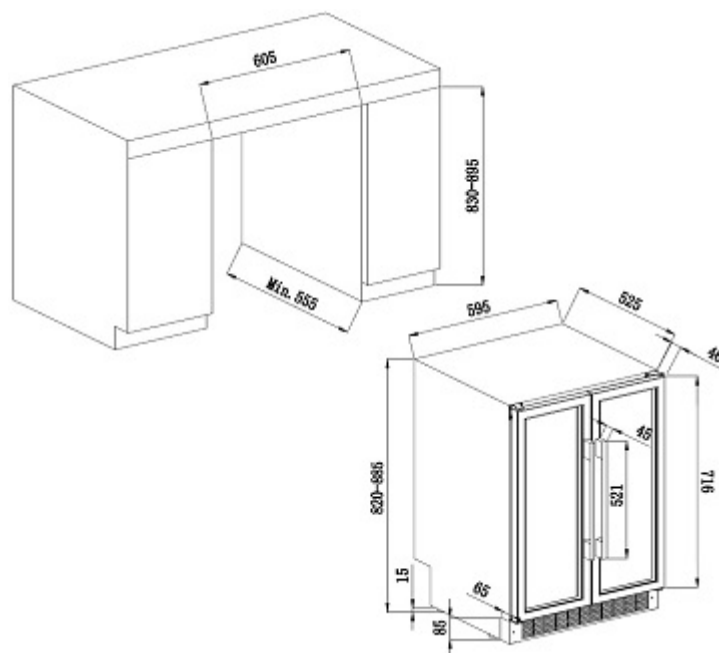
Pallet dimensions (cm): 0

Full truck (UVC): 120

Container (UVC):

20': 48  
40': 108  
40' HC: 162

Gencod UVC: 3595320105131



Non-contractual pictures

\* Capacity given with 75cl Bordeaux traditional type bottles. Adding shelves reduce considerably the total capacity.