

# avintage

Built-under range

## 2-compartments service wine cabinet

**50 bottles\***

**AVU53CDZA**

- *Free standing and built-under counter installation*
- *Cooling system: compressor (air moving system)*
- *Adjustable temperature range of use:  
5°-10°C/10°-20°C*
- *Black metal external body*
- *Black PVC inner liner*
- *1 reversible glass door, anti-UV treated, 2-layers  
tempered glass (brown colored), black frame*
- *Electronic regulation*
- *4 semi-sliding wooden shelves  
1 semi-sliding wooden half shelf*

*New elegant design and optimization of energy  
consumption: **A class.***



# avintage

## Reference: **AVU53CDZA**

- **Ambient temperature range of use:**  
0°-32°C
- **Equipments included:**  
4 adjustable feet (height 6.5 cm)  
Plumbing passage  
White LED lights with ON/OFF switch button  
Anti-vibration system  
Removable aeration system  
Winter system  
Water tray to maintain proper hygrometry  
Thermometer with electronic display (white)
- **Technical characteristics:**  
Voltage: 220-240 V  
Power input: 100 W  
Annual electrical consumption: 145 kWh  
Energy class: A  
Climatic class: N  
Noise level: 45 dB

- **Logistic datas:**

Dimension UVC (W x D x H cm):

Packed: 65.5x66.5x87  
Unpacked: 59.5x57.1x82

Weight UVC (Kg):

Gross: 54,00  
Net: 50,00

Pallet dimensions (cm):

0

Full truck (UVC):

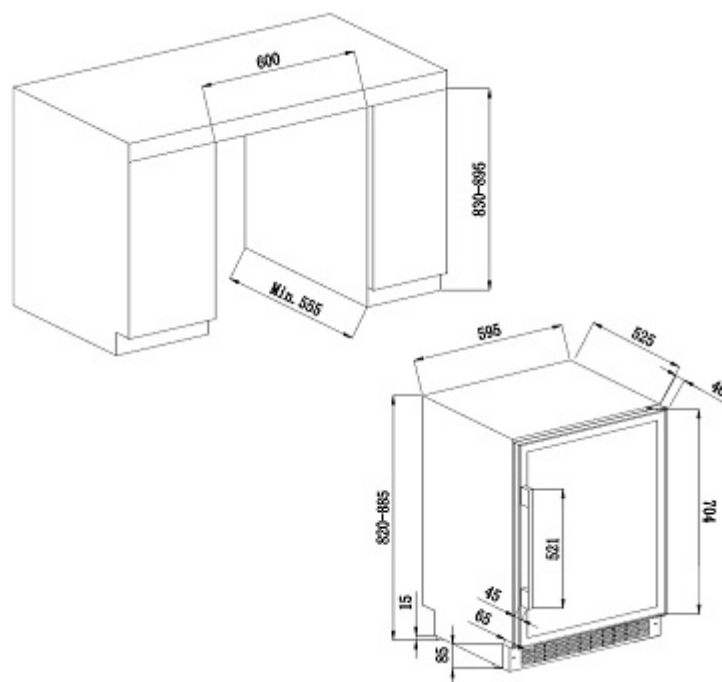
120

Container (UVC):

20': 48  
40': 108  
40' HC: 162

Gencod UVC:

3595320105094



Non-contractual pictures

\* Capacity given with 75cl Bordeaux traditional type bottles on 3 shelves. Adding shelves reduce considerably the total capacity.