

avintage●●●

Built-under range

Single-compartment service wine cabinet

8 bottles*

AVU8XA

- *Built-under counter installation*
- *Cooling system: compressor (air moving system)*
- *Adjustable temperature range of use: 5°-20°C*
- *Black metal external body*
- *Black PVC inner liner*
- *1 reversible glass door, anti-UV treated, 3-layers tempered glass (brown colored), stainless steel frame*
- *Electronic regulation*
- *6 fixed metal shelves*

*An Avintage innovation!
New elegant design and optimization of energy
consumption: **A class.***

*You can put an **8th bottle of champagne**, for
example, **upright** (ideal for keeping a bottle already
opened).*



avintage

Reference: AVU8XA

- **Ambient temperature range of use:**
16°-32°C
- **Equipments included:**
4 adjustable feet (height 6.5 cm)
White LED lights with ON/OFF switch button
Anti-vibration system
Removable aeration system
Water tray to maintain proper hygrometry
Thermometer with electronic display (white)
- **Technical characteristics:**
Voltage: 220-240 V
Power input: 70.0 W
Annual electrical consumption: 135.0 kWh
Energy class: A
Climatic class: N
Noise level: 44.0 dB
- **Logistic datas:**

Dimension UVC (W x D x H cm):

Packed: 17.5 x 59 x 86.5
Unpacked: 14.5 x 54.75 x 82

Weight UVC (Kg):

Gross: 22,00
Net: 20,00

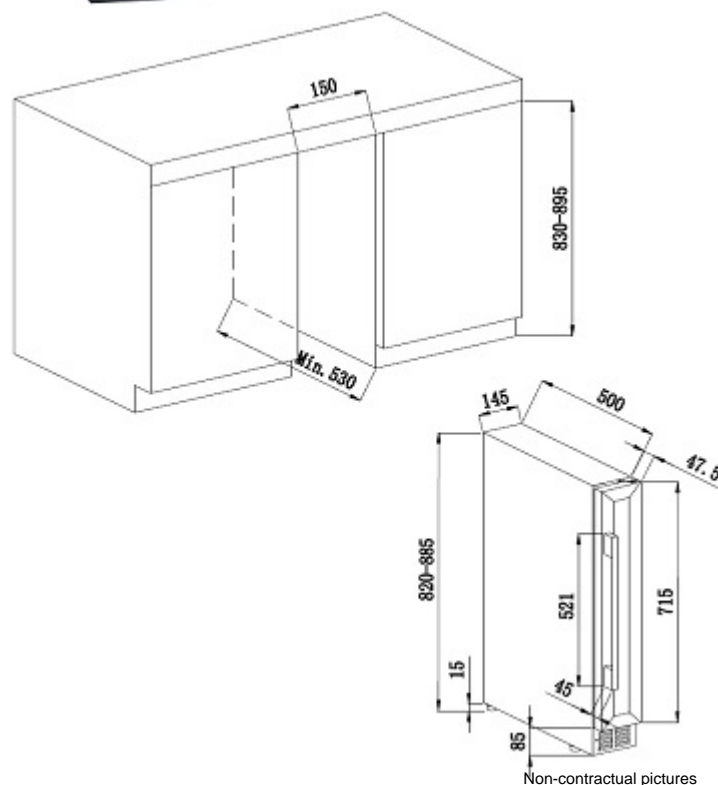
Pallet dimensions (cm): 0

Full truck (UVC): 572

Container (UVC):

20': 282
40': 596
40' HC: 790

Gencod UVC: 3595320105230



Non-contractual pictures

* Capacity given with 75cl Bordeaux traditional type bottles on 6 shelves. Adding shelves reduce considerably the total capacity.