

# avintage

## Built-in range

### 2-compartment service wine cabinet

**79 bottles\***

**AVI81XDZA**

- Built-in column
- Cooling system: compressor (air moving system)
- Adjustable temperature ranges of use:  
5°-18°C/5°-18°C
- Black metal external body
- Black PVC inner liner
- 1 reversible glass door, anti-UV treated, 3-layers tempered glass (grey-colored), stainless steel frame
- Electronic regulation
- 8 semi-sliding wooden shelves  
1 fixed de présentation en bois shelf

Avintage innovation!

With its **A class**, energy performance is optimized.

Opt for the **elegant design** of this cabinet which will fit perfectly into your kitchen and will keep your wines at a constant temperature. Thanks to its both temperature zones, you could bring

**simultaneously** your bottles at **room temperature** or bring them to **service temperature**.

\*Capacity given as an indication without presentation shelf. Adding shelves reduces considerably the total capacity.



# avintage

## Reference: AVI81XDZA

- **Ambient temperature range of use:**  
10°-32°C
- **Equipments included:**  
2 adjustable feet (height 1 cm)  
White LED lights with ON/OFF switch button  
Anti-vibration system  
Thermometer with white electronic display
- **Technical characteristics:**  
Voltage: 220-240 V  
Power input: 24.0 W  
Annual electrical consumption: 150.0 kWh  
Energy class: A  
Climatic class: N-SN  
Noise level: 40.0 dB

- **Logistic datas:**

Dimension UVC (W x D x H cm):

Packed: 65 x 65 x 128.5  
Unpacked: 59.4 x 55.5 x 123.30

Weight UVC (Kg):

Gross: 60,00  
Net: 56,00

Pallet dimensions (cm):

0

Full truck (UVC):

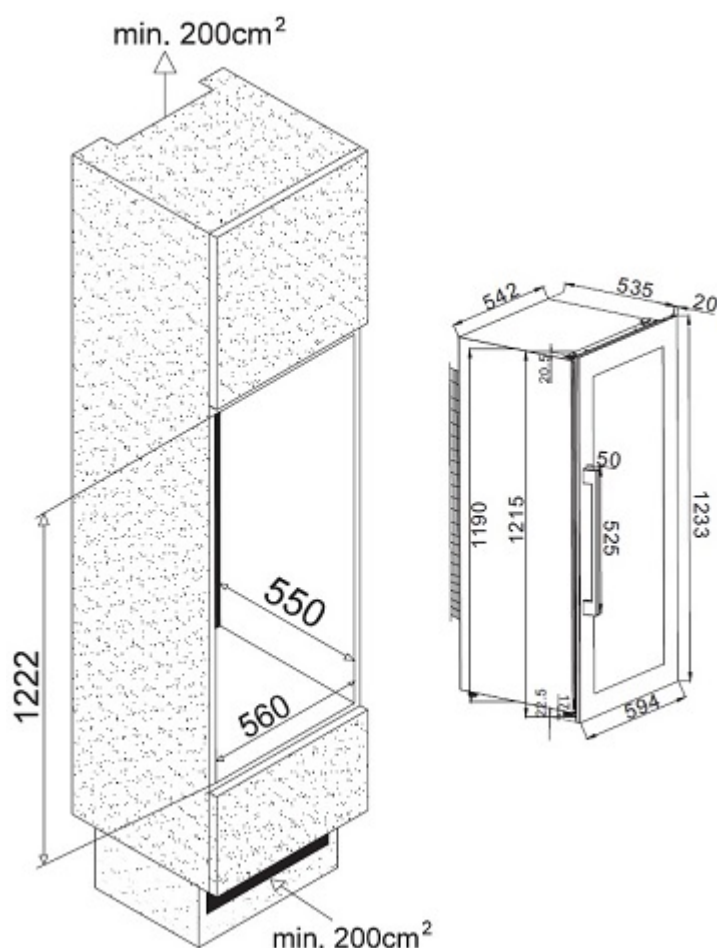
60

Container (UVC):

20': 40  
40': 81  
40' HC: 108

Gencod UVC:

3595320105353



Non-contractual pictures

\* Capacity given with 75cl Bordeaux traditional type bottles on 8 shelves. Adding shelves reduce considerably the total capacity.