

avintage●●●

2026 

## BRAND PRESENTATION ●●●

---

### REAL WINE CELLAR SPECIALIST

Avintage® has teamed up with the leading kitchen brands in France and abroad to help you look after your finest bottles. You're sure to find out the perfect wine cellar in our wide range of models. All our products have been designed to meet the latest market trends, with a focus on bottles and wine cellars that blend in perfectly with today's kitchens. The Avintage Tailor Made® team can also respond to any custom-made request with creations made in France.

### KNOW-HOW

When choosing your wine cellar, you need to bear in mind that you will be entrusting it with bottles that you will patiently collect and that represent a real emotional and economic asset: their total value can far exceed the purchase cost of the wine cellar.. And this value increases in years! That's why it's essential to entrust your wines to a genuine wine cellar specialist which offers products that are perfectly suited to your requirements.

### PERFORMANCE, CONTROL AND QUALITY STANDARDS

The quality of Avintage® wine cellars is an ongoing process. Avintage® factories are certified and meet the most demanding standards. Products are subject to tests and checks on functional and aesthetic aspects according to precise protocols.

### A SPECIAL RELATIONSHIP WITH ITS DISTRIBUTION PARTNERS

Are you a kitchen designer or an Avintage® partner ? Interfroid Services, our technical division, manages the spare parts availability for the entire warranty period and up to 10 years after production. Beyond the borders, our International distributors and their technical network support you with service solutions throughout the life of the product.

### AVINTAGE® X VINOTAG®

All Avintage® wine cellars are compatible with Vinotag®, our wine cellar management application.

This application allows you to: establish a digital wine register in real time; be alerted about the stock levels and peak dates of your favourite wines; access detailed wine information simply by taking a photo of a bottle label thanks to our partnership with Vivino®.



**WINE REGISTER**



**STOCK ALERT AND PEAK DATE**



**ESOMMELIER® ASSISTED PLACEMENT**



**REMOTELY CONTROLLED**

For a selection of products



**DOWNLOAD THE APPLICATION**





## THE BUILT-IN-COLUMN CELLARS

Avintage offers a wide range of column-integrated wine cellars. With 8 different sizes, you'll find the perfect model for every kitchen.

45 cm niche / 60 cm niche / 88 cm niche / 98 cm niche / 105 cm niche / 122 cm niche / 178 cm niche / 60 cm high and 75 cm wide niche

## THE BUILT-UNDER SERVICE CELLARS

For integration under a countertop, Avintage offers different solutions with the best installation options to meet all needs :

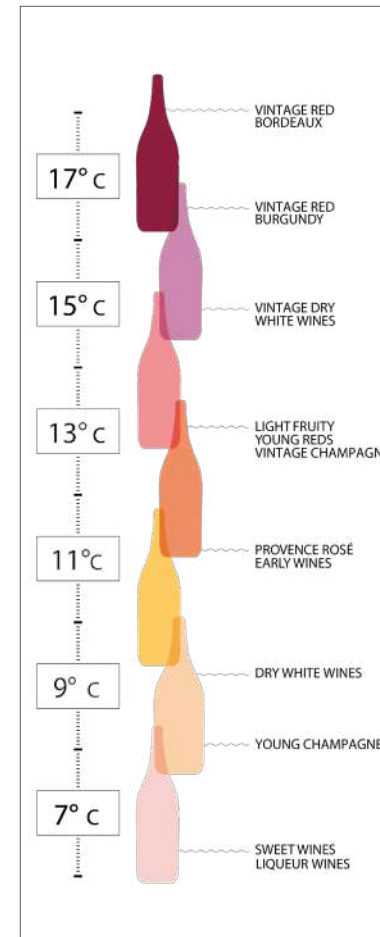
- 82 cm high models with 72 cm door and adjustable feet.
- 88 cm high models with 78 cm door and adjustable feet.
- A self-ventilated model with a 72 cm door for integration-under-counter.
- A self-ventilated model with a 78 cm door for integration-under-counter.

## EACH WINE DESERVES TO BE TASTED AT THE PERFECT TEMPERATURE

Our wine cellars allow you to set the temperature of your choice.

Avintage offers single-zone, double-zone and triple-zone wine cellars. Each zone can be set independently. So champagne, white wines or red wines will always be ready to be served at the right temperature.

When wine is served at the perfect temperature for tasting, you can enjoy all its aromas to the full and get the best out of your experience.





1

### Your requirements

Are you looking for a company able to design and manufacture a tailor-made wine cellar? Then you've come to the right place.

2

### Project study

Once we have all the details of your project, we will draw up an offer.

3

### Manufacture

Once the quote and plans have been approved, your project goes into production on our workshops in France.

# avintage

TAILOR MADE

## Our expertise

Each project is tailor-made to suit your needs and the space available, including the refrigeration section.

Structure, fittings, decor - everything is created to order and handcrafted. Avintage Tailor Made technology, subject to constant research, offers all solutions for remote cooling units.



No technical components are visible.

From the first contact to the final installation, Avintage Tailor Made ensures that you have a unique interlocutor to advise you and bring your project to a successful conclusion.

A united team, proud to design 100% French-made products.

*Discover our projects!*





**P L A T I N U M   R A N G E   B U I L T - I N - C O L U M N**

1

# PLATINUM RANGE

REMOTELY CONTROLLED RANGE

**Installation at its best:**  
Easy installation with NO VENTILATION NEEDED.

2

**A full option range:**  
The PLATINUM range retains the brand's DNA with excellent highlighting of the labels.

3

**24/7 connectivity:**  
This new range can be remotely controlled, using your smartphone to adjust the temperature, lighting and alarms.

SELF-VENTILATED SYSTEM

REVERSIBLE PUSH-PULL  
For built-in models

PANTOGRAPH HINGES

TELESCOPIC RAILS  
Highlighting labels

CHARCOAL FILTER  
For built-in models



Find out more!

REMOTELY CONTROLLED  
Temperature, alarm & light



ADJUSTABLE LIGHTING  
Colour and intensity



Amber

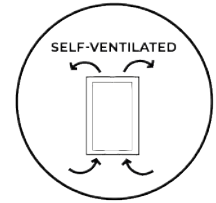
Cold white

Warm white

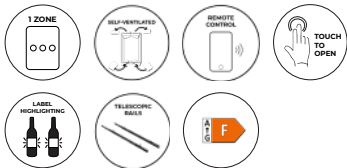
AVI45PLATINUM .....	08
AVI60PLATINUM .....	08
AVI6075PLATINUM .....	08
AVI88PLATINUM .....	09
AVI98PLATINUM .....	09
AVI105PLATINUM .....	09
AVI122PLATINUM .....	10
AVI178PLATINUM .....	10
AVU50PLATINUM .....	11
AVU50PANEL .....	11
AVI72PLATINUM .....	11

INSTALLATION DIAGRAMS .....	21
-----------------------------	----

# 45 - 60 NICHE - Single and Dual Zone



**AVI45PLATINUM**

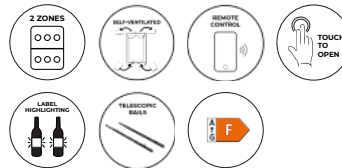


21 bottles  
37 dB  
Single zone service cellar  
**Remotely Controlled**

- 2 wooden shelves with telescopic rails
- Reversible door
- Adjustable temperature 5 - 20 °C
- Triple glazing with anti-UV treatment and Low-e glass
- Charcoal filter
- W 59,0 x D 56,5 x H 45,5 cm



**AVI60PLATINUM**



24 bottles  
37 dB  
Dual zone service cellar  
**Remotely Controlled**

- 3 wooden shelves with telescopic rails
- Reversible door
- Adjustable temperature 5 - 12 °C / 12 - 20 °C
- Triple glazing with anti-UV treatment and Low-e glass
- Charcoal filter
- W 59,0 x D 56,5 x H 59,5 cm



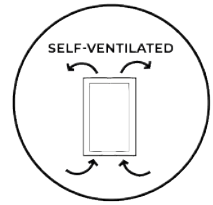
**AVI6075PLATINUM**



32 bottles  
37 dB  
Dual zone service cellar  
**Remotely Controlled**

- 3 wooden shelves with telescopic rails
- Reversible door
- Adjustable temperature 5 - 12 °C / 12 - 20 °C
- Triple glazing with anti-UV treatment and Low-e glass
- Charcoal filter
- W 74,5 x D 56,5 x H 59,5 cm

# 88 - 98 - 105 NICHE - Dual zone

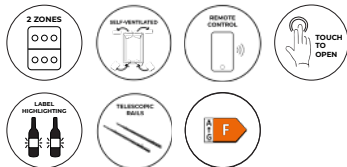


Seamless alignment !

$$38 + 60 = 98$$



**AVI88PLATINUM**

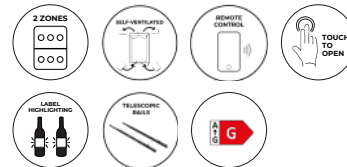


44 bottles  
37 dB  
Dual zone service cellar  
**Remotely Controlled**

- 5 wooden shelves with telescopic rails
- Reversible door
- Adjustable temperature 5 - 12 °C / 12 - 20 °C
- Triple glazing with anti-UV treatment and Low-e glass
- Charcoal filter
- W 59,0 x D 56,5 x H 88,5 cm



**AVI98PLATINUM**



52 bottles  
37 dB  
Dual zone service cellar  
**Remotely Controlled**

- 5 wooden shelves with telescopic rails
- Reversible door
- Adjustable temperature 5 - 12 °C / 12 - 20 °C
- Triple glazing with anti-UV treatment and Low-e glass
- Charcoal filter
- W 59,0 x D 56,5 x H 98,5 cm

Seamless alignment !

$$45 + 60 = 105$$



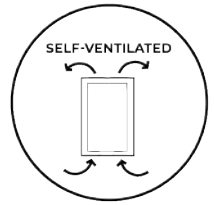
**AVI105PLATINUM**



56 bottles  
37 dB  
Dual zone service cellar  
**Remotely Controlled**

- 5 wooden shelves with telescopic rails
- Reversible door
- Adjustable temperature 5 - 12 °C / 12 - 20 °C
- Triple glazing with anti-UV treatment and Low-e glass
- Charcoal filter
- W 59,0 x D 56,5 x H 105,5 cm

# 122-178 NICHE - Dual zone and Triple zone



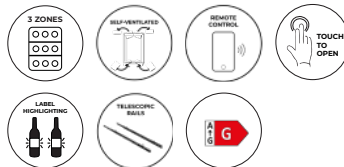
## AVI122PLATINUM



68 bottles  
39 dB  
Dual zone service cellar  
**Remotely Controlled**

- 7 wooden shelves with telescopic rails
- Reversible door
- Adjustable temperature 5 - 12 °C / 12 - 20 °C
- Triple glazing with anti-UV treatment and Low-e glass
- Charcoal filter
- W 59,0 x D 56,5 x H 123,3 cm

## AVI178PLATINUM



94 bottles  
39 dB  
Triple zone service cellar  
**Remotely Controlled**

- 12 wooden shelves with telescopic rails
- Reversible door
- Adjustable temperature 5 - 20 °C / 5 - 12 °C / 12 - 20 °C
- Triple glazing with anti-UV treatment and Low-e glass
- Charcoal filter
- W 59,0 x D 56,5 x H 178,3 cm



# BUILT-IN & UNDER-COUNTER

60 CM WIDTH - 72 & 78 CM DOOR - Dual zone

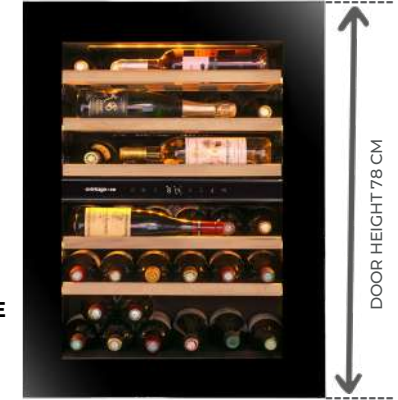


PANELABLE DOOR

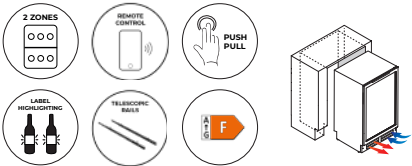


INSTALLATION IN A NICHE

WITHOUT VENTILATION GRILLE



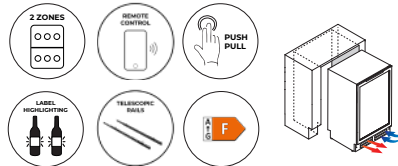
## AVU50PLATINUM



47 bottles  
37 dB  
Dual zone service cellar  
**Remotely Controlled**

- 4 wooden shelves with telescopic rails
- Adjustable temperature 5 - 12 °C / 12 - 20 °C
- Triple glazing with anti-UV treatment and Low-e glass
- 4 adjustable feet of 7,0 cm
- W 59,5 x D 57,0 x H 81,7/88,7 cm

## AVU50PANEL



47 bottles  
37 dB  
Dual zone service cellar  
**Remotely Controlled**

- 4 wooden shelves with telescopic rails
- Adjustable temperature 5 - 12 °C / 12 - 20 °C
- Triple glazing with anti-UV treatment and Low-e glass
- 4 adjustable feet of 7,0 cm
- W 59,5 x D 57,0 x H 81,7/88,7 cm

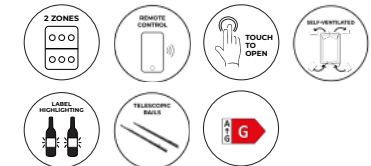
## AVI72PLATINUM



29 bottles  
37 dB  
Dual zone service cellar  
**Remotely Controlled**

- 4 wooden shelves with telescopic rails
- Reversible door
- Adjustable temperature 5 - 12 °C / 12 - 20 °C
- Triple glazing with anti-UV treatment and Low-e glass
- Charcoal filter
- W 59,0 x D 56,5 x H 71,5 cm

## AVI78PLATINUM



35 bottles  
36 dB  
Dual zone service cellar  
**Remotely Controlled**

- 4 wooden shelves with telescopic rails and 1 half shelf
- Reversible door
- Adjustable temperature 5 - 12 °C / 12 - 20 °C
- Triple glazing with anti-UV treatment and Low-e glass
- Charcoal filter
- W 59,0 x D 56,5 x H 77,8 cm



**BUILT-IN-COLUMN HANDLE RANGE**

**RANGE PRESENTATION**

**BUILT-IN-COLUMN**

Service wine cellars are typically used as a relay to a larger ageing wine cellar in the pantry, utility room, or garage, keeping your bottles within easy reach!

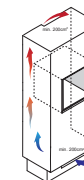
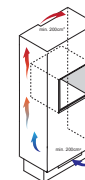
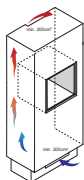
Discover our range of column-integrated wine cellars, perfect for wine enthusiasts. Elegant and functional, these coolers are equipped with ergonomic handles for easy opening. Their modern design and optimal storage capacity allow you to keep your bottles at the ideal temperature.

Matching perfectly with any kitchen, they add a touch of sophistication while preserving the quality of your wine.

**For proper operation of the appliances, follow the installation diagrams on page 23.**

60 cm niche .....	13
88 cm niche .....	13
105 cm niche .....	13

# 60 - 88 - 105 NICHE - Single and Dual zone



## AVI63CSZF



- 33 bottles
- 37 dB
- Single zone service cellar
- Integrated vacuum system**
- Vertical storage possible**
- 4 sliding wooden shelves
- Reversible door
- Adjustable temperature 5 - 20 °C
- Triple glazing with anti-UV treatment
- W 59,0 x D 56,2 x H 59,5 cm

## AVI60F2FV



- 28 bottles
- 38 dB
- Dual zone service cellar
- 3 wooden shelves with telescopic rails
- Reversible door
- Adjustable temperature 5 - 12 °C / 12 - 20 °C
- Triple glazing with anti-UV treatment
- W 58,9 x D 54,8 x H 59,5 cm

## AVI88G2



- 51 bottles
- 36 dB
- Dual zone service cellar
- 4 wooden shelves with telescopic rails
- 1 fixed presentation shelf
- Reversible door
- Adjustable temperature 5 - 18 °C / 5 - 18 °C
- Triple glazing with anti-UV treatment
- W 59,2 x D 55,6 x H 88,4 cm

## AVI105G2



- 62 bottles
- 39 dB
- Dual zone service cellar
- Oven 60cm niche + microwave 45cm niche**
- 6 wooden shelves with telescopic rails
- 1 fixed presentation shelf
- Reversible door
- Adjustable temperature 5 - 12 °C / 12 - 20 °C
- Triple glazing with anti-UV treatment
- W 58,9 x D 55,7 x H 105,5 cm



**BUILT-UNDER-COUNTER 82 CM AND 88 CM HEIGHT**

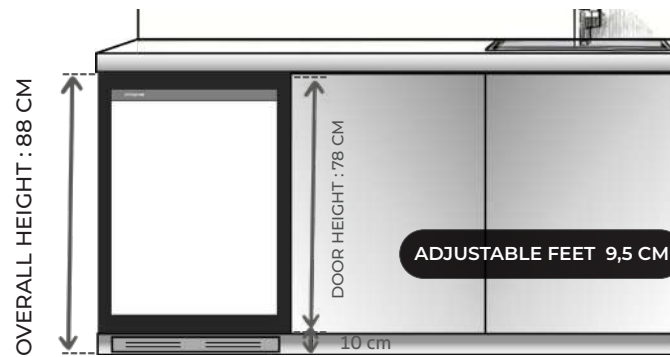
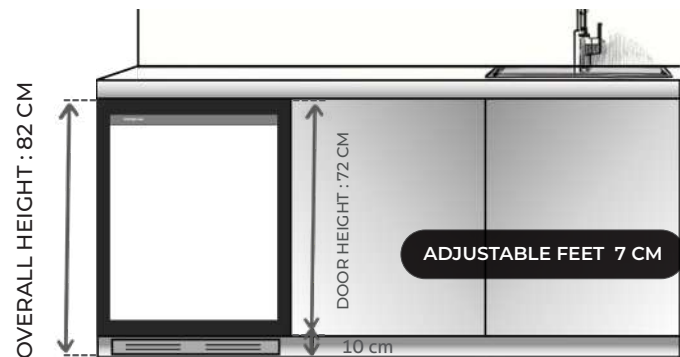


## RANGE PRESENTATION

### BUILT-UNDER-COUNTER - 82 CM AND 88 CM HEIGHT

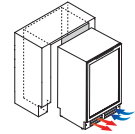
Discover our range of built-under-counter wine cellars, designed to seamlessly integrate into any kitchen. Available in two heights, they offer elegant and discreet integration with top-notch installation and hidden under-counter handles. Enjoy your bottles at the perfect serving temperature. These cellars, ideal for enhancing your kitchen, combine design and functionality for discerning wine enthusiasts.

For proper operation of the appliances, follow the installation diagrams on page 26.



- 82 cm height ..... 16-17
- 88 cm height ..... 18-19

# 82 CM RANGE 15-30-40 WIDTH - Single and Dual zone



**AVU8S82**



8 bottles  
37 dB  
Single zone service cellar  
**Vertical storage possible**

- 6 fixed bottle supports
- Reversible door
- Adjustable temperature 5 - 20 °C
- Triple glazing with anti-UV treatment
- 4 adjustable feet of 6,0 cm
- W 14,5 x D 54,0 x H 82,0/88,0 cm



Available in stainless steel  
**AVU22TX1**

**AVU23TB1**



22 bottles  
37 dB  
Single zone service cellar  
**Vertical storage possible**

- 4 wire shelves with wooden front
- Reversible door
- Adjustable temperature 5 - 20 °C
- Triple glazing with anti-UV treatment
- 4 adjustable feet of 7,0 cm
- W 29,5 x D 57,4 x H 81,7/88,7 cm



**AVU27D82**



25 bottles  
38 dB  
Dual zone service cellar

- 3 wire shelves with wooden front
- Reversible door
- Adjustable temperature 5 - 12 °C / 12 - 20 °C
- Triple glazing with anti-UV treatment
- 4 adjustable feet of 7,0 cm
- W 29,5 x D 57,4 x H 81,7/88,7 cm



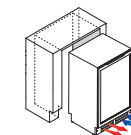
**AVU41D82**



29 bottles  
38 dB  
Dual zone service cellar  
**Remotely Controlled**

- 5 wooden shelves with telescopic rails and 1 half shelf
- Reversible door
- Adjustable temperature 5 - 12 °C / 12 - 20 °C
- Triple glazing with anti-UV treatment
- 4 adjustable feet of 6,5 cm
- Charcoal filter
- W 39,5 x D 57,0 x H 81,5/88,0 cm

# 82 CM RANGE 60 CM WIDTH - Single, Dual zone, and Double Door



**AVU50S82**



44 bottles  
38 dB  
Single zone service cellar

- 4 wooden shelves with telescopic rails
- 1 fixed display shelf
- Reversible door
- Adjustable temperature 5 - 20 °C
- Triple glazing with anti-UV treatment
- 4 adjustable feet of 7,0 cm
- W 59,5 x D 57,4 x H 81,7/88,7 cm



**AVU51D82**



44 bottles  
37 dB  
Dual zone service cellar

- 4 wooden shelves with telescopic rails
- 1 fixed display shelf
- Reversible door
- Adjustable temperature 5 -12 °C / 12 - 20 °C
- Triple glazing with anti-UV treatment
- 4 adjustable feet of 7,0 cm
- W 59,5 x D 57,4 x H 81,7/88,7 cm



**AVU49DPB1**



47 bottles  
38 dB  
Dual zone service cellar

**Vertical storage possible**

- 8 sliding steel wire shelves with wooden front
- Adjustable temperature 5 - 20 °C / 5 - 20 °C
- Triple glazing with anti-UV treatment
- 4 adjustable feet of 7,0 cm
- W 59,5 x D 57,4 x H 81,7/88,7 cm

# 88 CM RANGE 88 CM WIDTH



## RANGE PRESENTATION

**BUILT-UNDER-COUNTER - 88 CM HEIGHT**

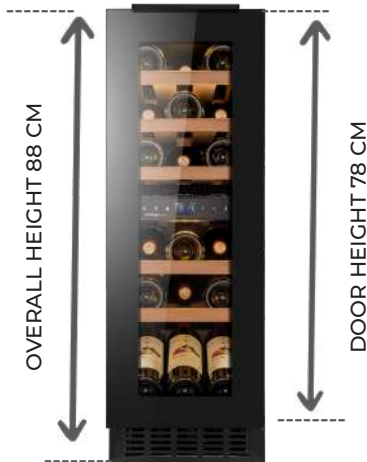
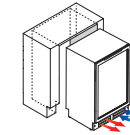
Discover our range of built-under-counter service wine cellars, perfect for high-rise kitchens.

With a height of 88 cm and a door of 78 cm, they fit ideally under the worktops of modern and spacious kitchens. Equipped with our exclusive hidden under-counter handles, these cellars combine elegance and functionality. Equipped with dual zone, they ensure optimal conservation of your wines at suitable temperatures. Controllable remotely with the Vinotag application, they offer easy and precise management.

Enhance your kitchen while preserving the quality of your wines with our built-under cellars.

**For the correct operation of the devices, follow the installation diagrams on page 27.**

# 88 CM RANGE 30 CM - 60 CM WIDTH - Dual zone



## AVU31D88



18 bottles  
37 dB  
Dual zone service cellar  
**Remotely Controlled**

- 5 wooden shelves with telescopic rails
- Reversible door
- Adjustable temperature 5 – 12 °C / 12 – 20 °C
- Triple glazing with anti-UV treatment
- 4 adjustable feet of 9,5 cm
- Charcoal filter
- W 29,5 x D 57,5 x H 88,0/97,0 cm

## AVU61D88



46 bottles  
37 dB  
Dual zone service cellar  
**Remotely Controlled**

- 5 wooden shelves with telescopic rails
- Reversible door
- Adjustable temperature 5 – 12 °C / 12 – 20 °C
- Triple glazing with anti-UV treatment
- 4 adjustable feet of 9,5 cm
- Charcoal filter
- W 59,5 x D 57,5 x H 88,0/ 97,0 cm



# SMART INSTALLATION

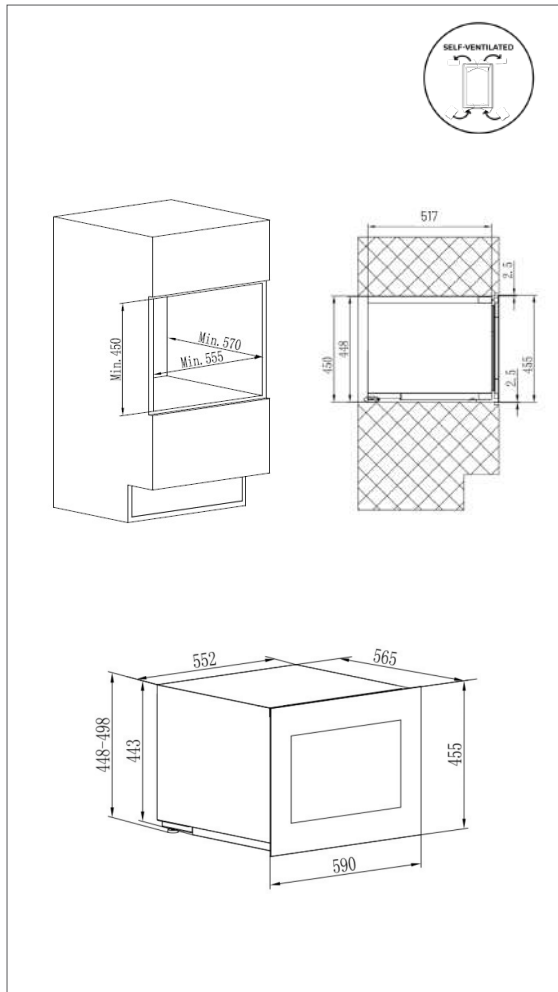
All our built-under models are designed to facilitate technical and specific integration into all kitchens.



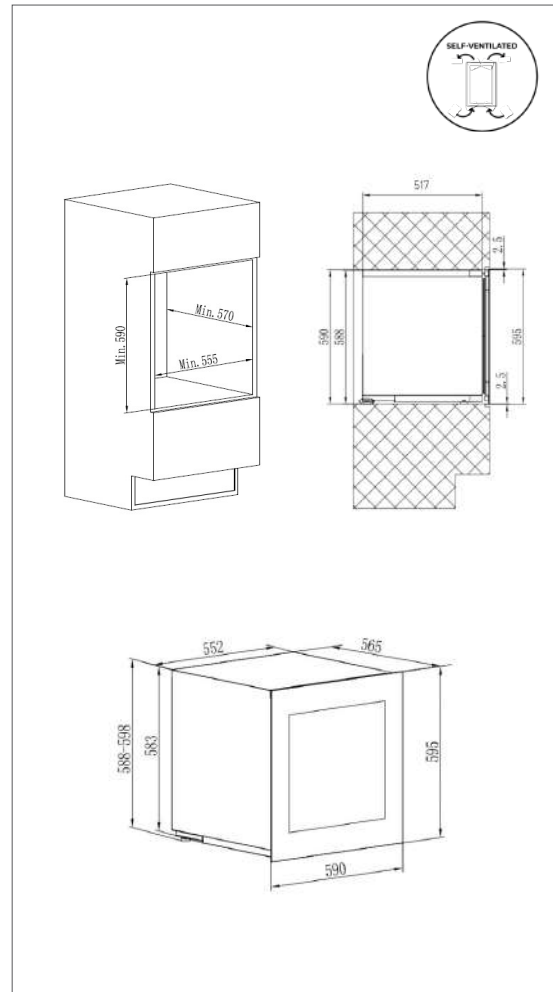
# INSTALLATION DIAGRAMS

## PLATINUM RANGE

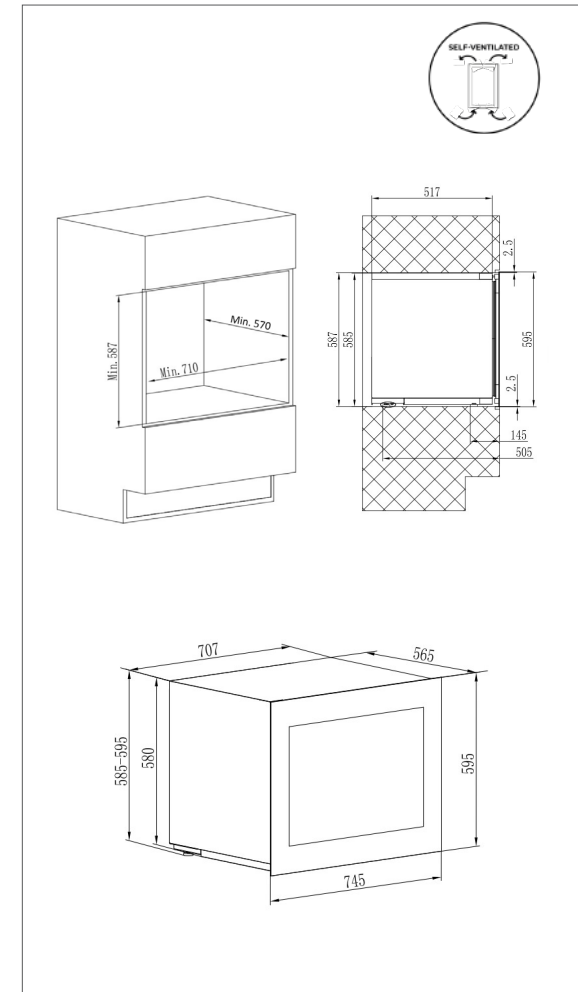
The PLATINUM range is equipped with a door front ventilation system. Follow the installation instructions to ensure proper operation of the device.



REFERENCE : AVI45PLATINUM



REFERENCE : AVI60PLATINUM

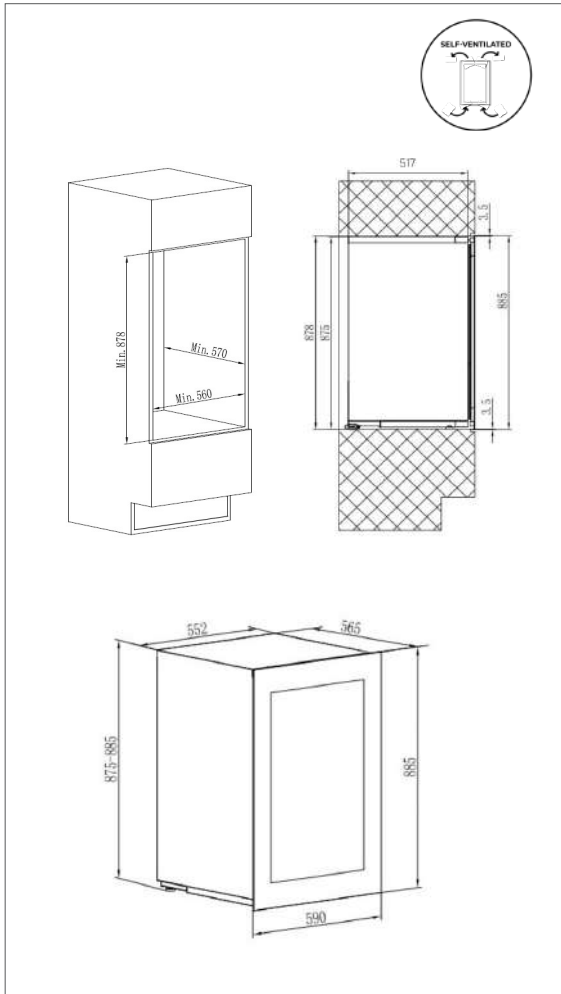


REFERENCE : AVI6075PLATINUM

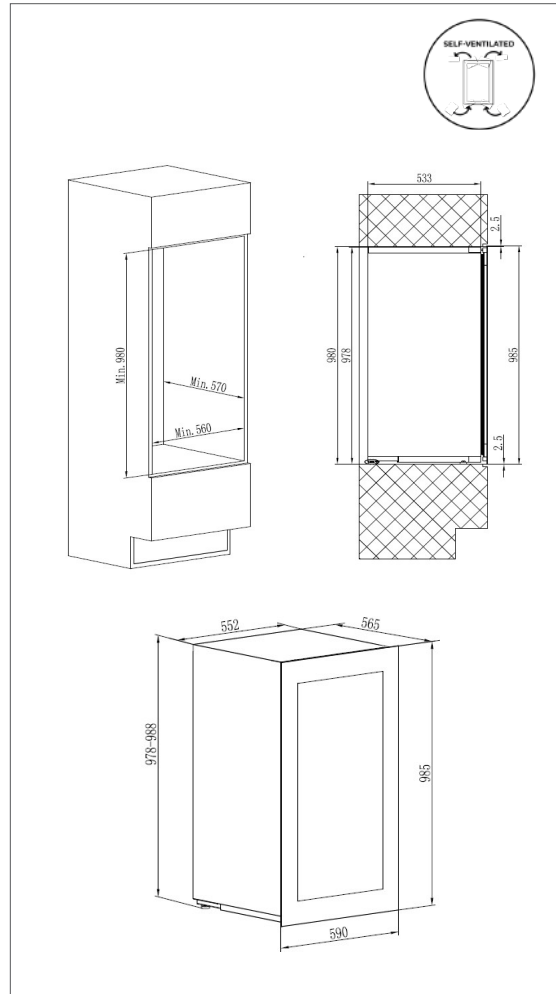
# INSTALLATION DIAGRAMS

## PLATINUM RANGE

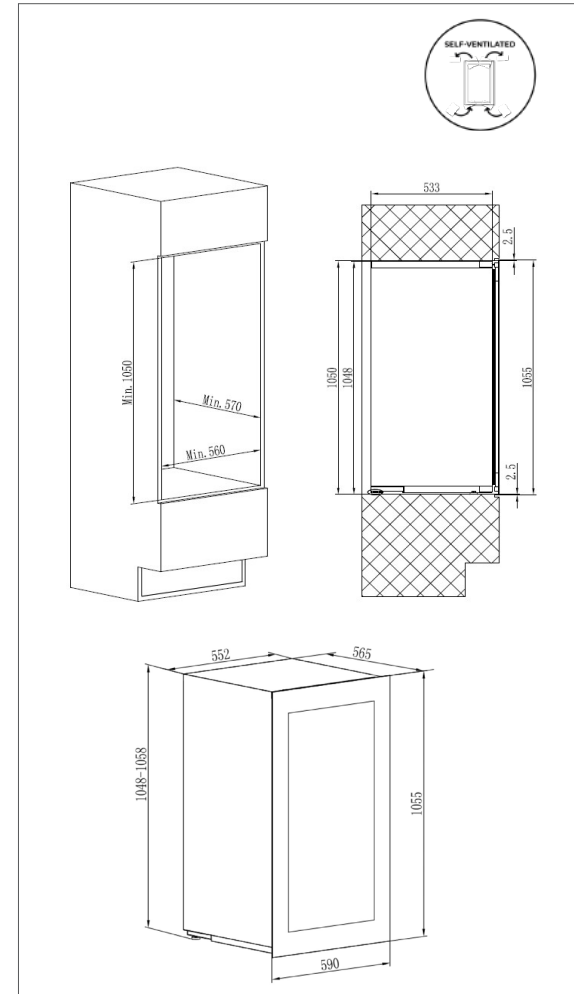
The PLATINUM range is equipped with a door front ventilation system. Follow the installation instructions to ensure proper operation of the device.



REFERENCE : AVI88PLATINUM



REFERENCE : AVI98PLATINUM

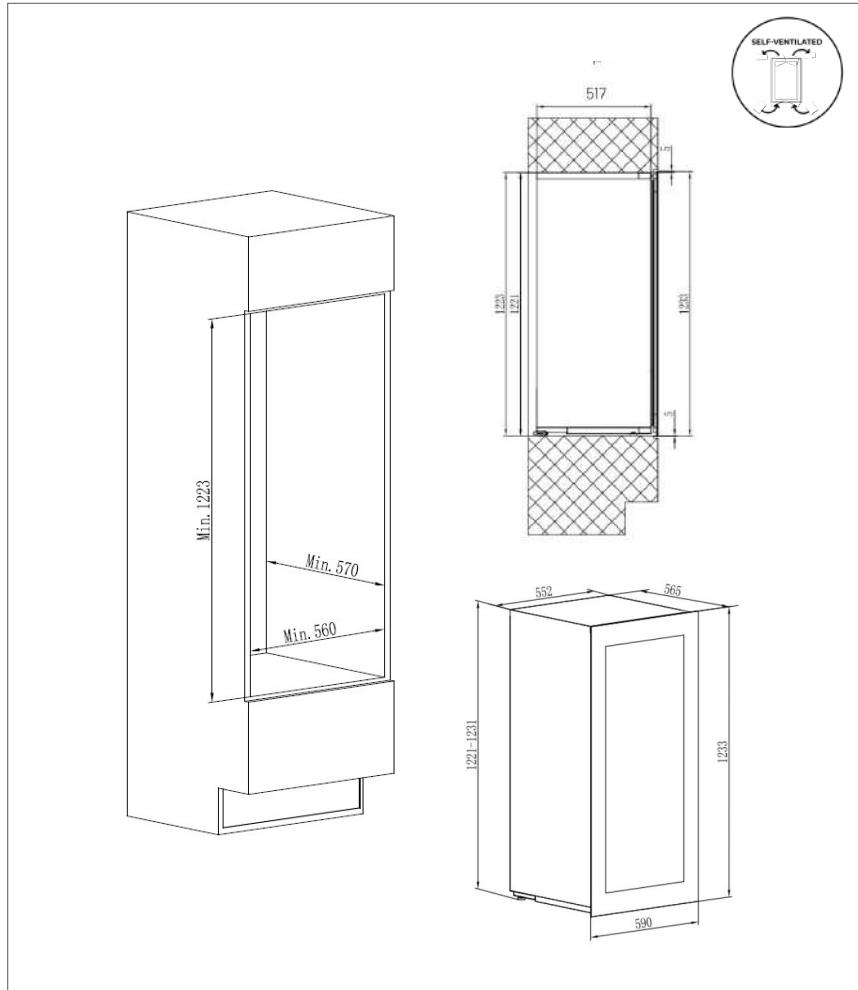


REFERENCE : AVI105PLATINUM

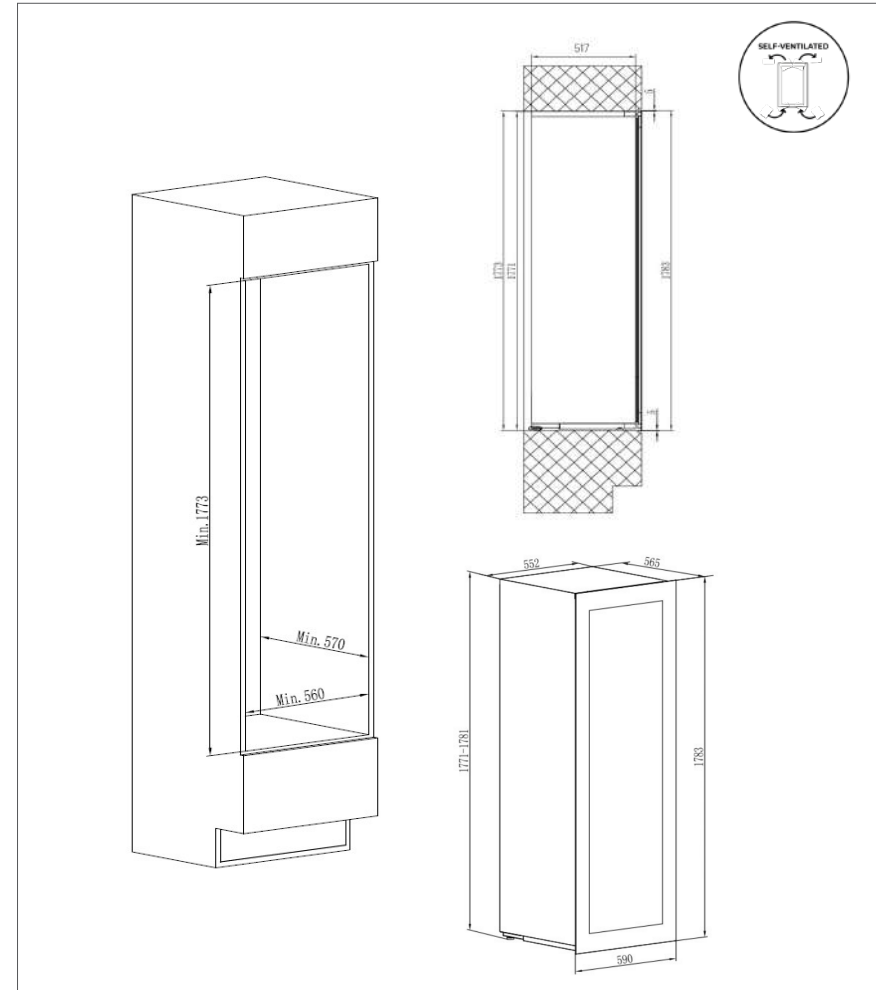
# INSTALLATION DIAGRAMS

## PLATINUM RANGE

The PLATINUM range is equipped with a door front ventilation system. Follow the installation instructions to ensure proper operation of the device.



REFERENCE : AVI122PLATINUM

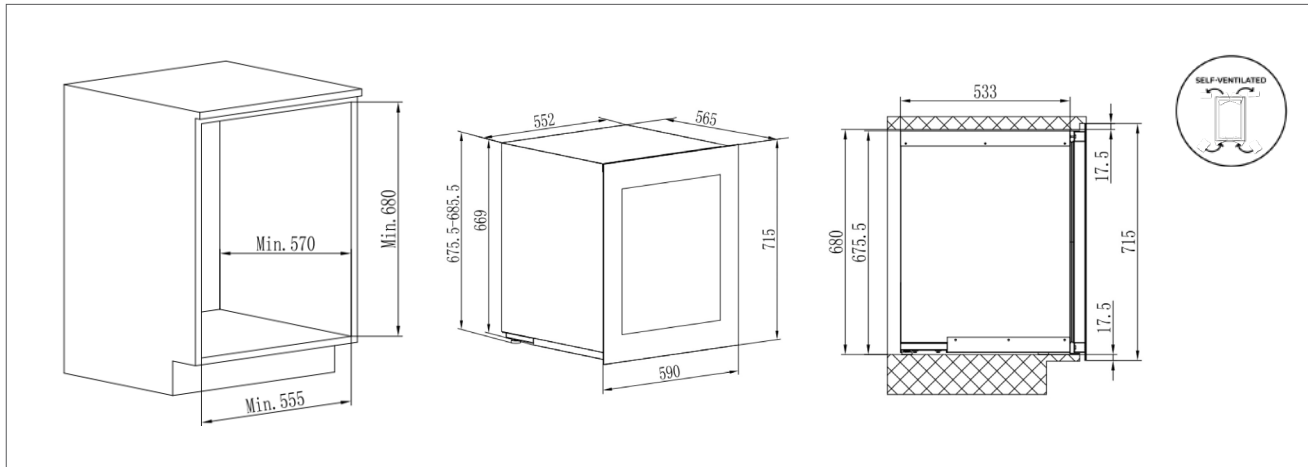


REFERENCE : AVI178PLATINUM

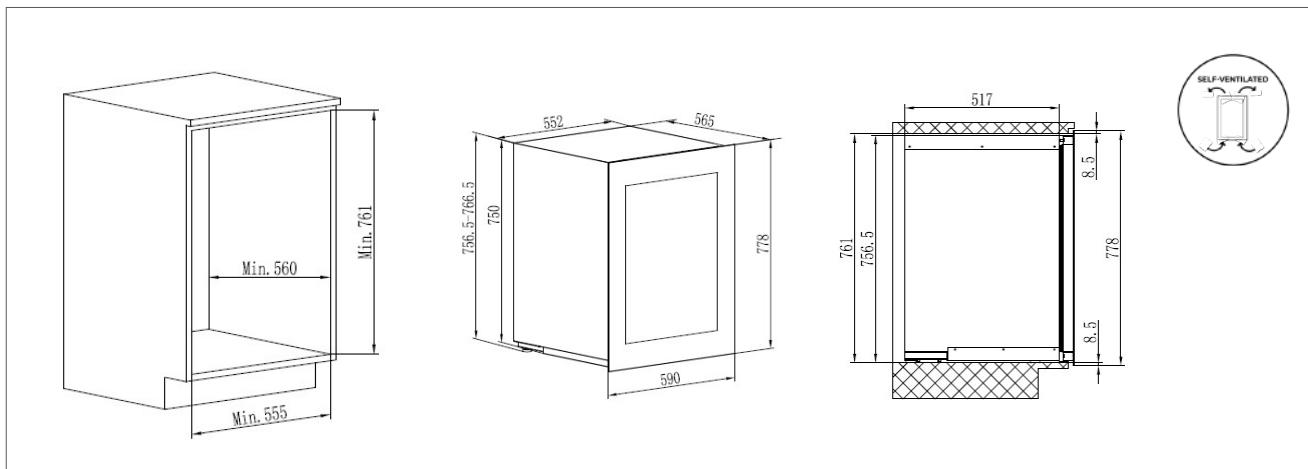
# INSTALLATION DIAGRAMS

## PLATINUM RANGE

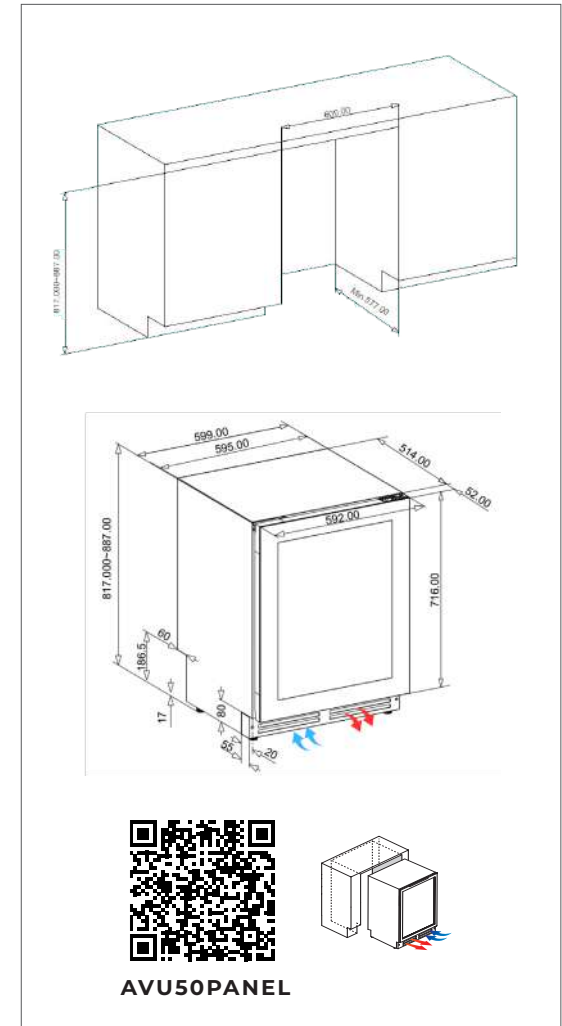
The PLATINUM range is equipped with a door front ventilation system. Follow the installation instructions to ensure proper operation of the device.



REFERENCE : AVI72PLATINUM



REFERENCE : AVI78PLATINUM



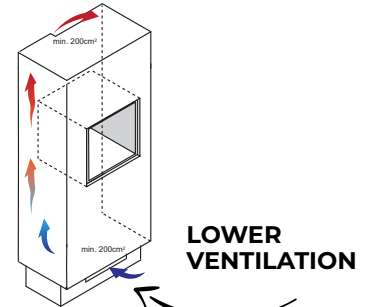
REFERENCES : AVU50PLATINUM ; AVU50PANEL (panelable door)

# INSTALLATION DIAGRAMS

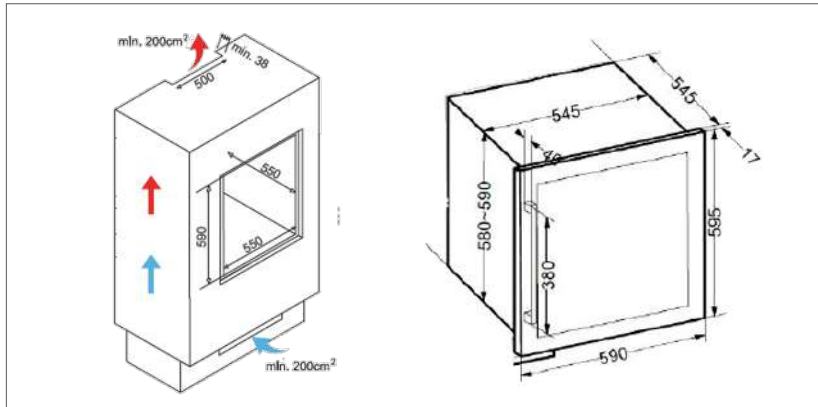
## BUILT-IN-COLUMN

For the proper functioning of a cellar integrated into a column, it is essential to provide low and high ventilation. Cold air enters through the ventilation grille in the lower part, transforms into hot air on contact with the cooling system and escapes through the upper ventilation. NEVER BUILD IN A COLUMN OR UNDER COUNTER A FREE-STANDING CELLAR.

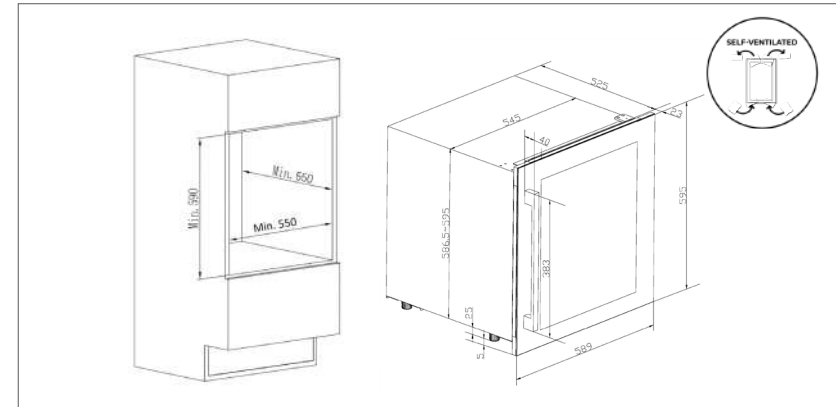
UPPER  
VENTILATION



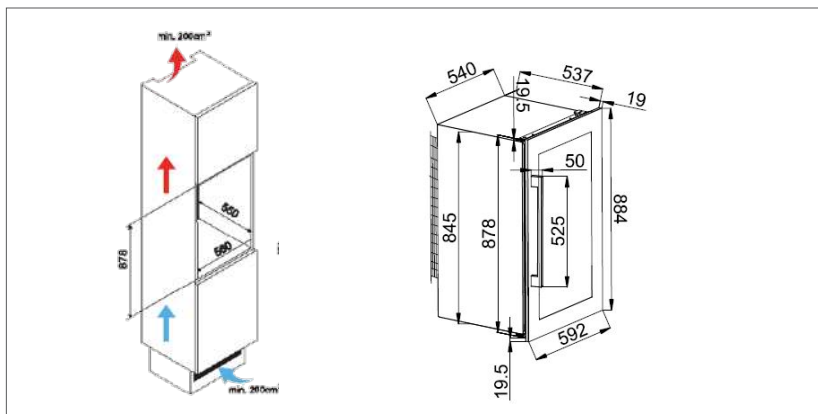
LOWER  
VENTILATION



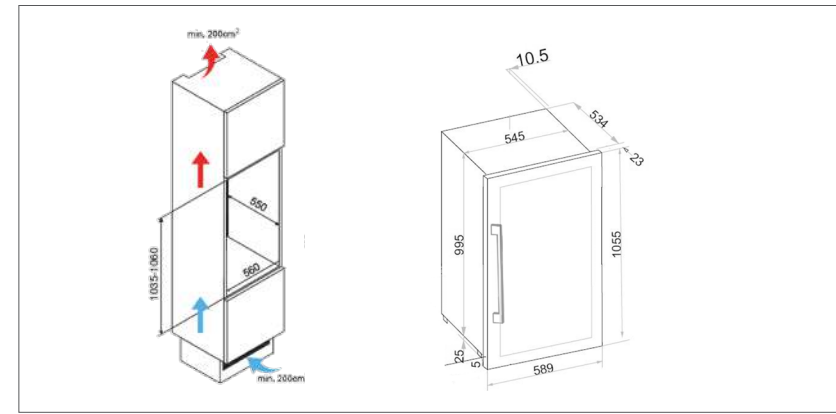
REFERENCE : AVI63CSZF



REFERENCE : AVI60F2FV



REFERENCE : AVI88G2

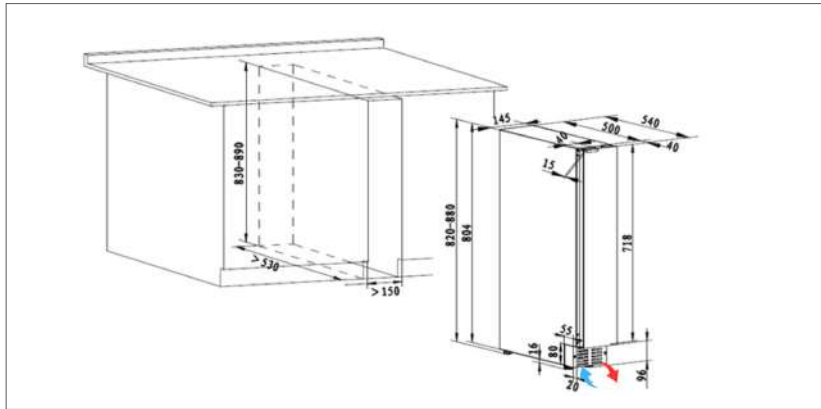
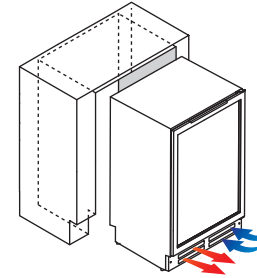


REFERENCE : AVI105G2

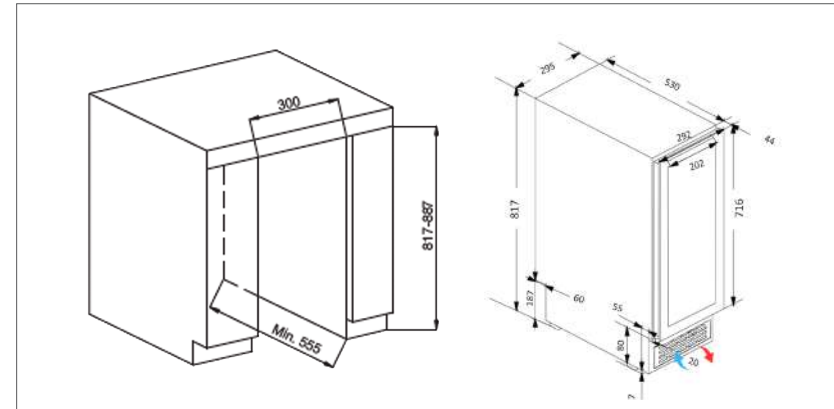
**RESPECT UPPER AND LOWER VENTILATION. DO NOT INSTALL A COLUMN-INTEGRATED WINE COOLER UNDER A COUNTER THAT IS NOT SELF-VENTILATED.**

## BUILT-UNDER-COUNTER

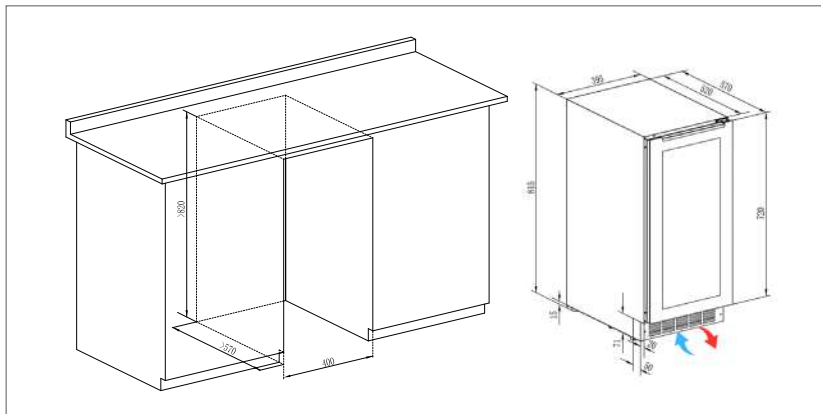
For the proper functioning of a built-under wine cellar, it is essential to provide low ventilation. Cold air enters through the ventilation grille in the lower part, transforms into hot air on contact with the cooling system and escapes again through the lower part.  
**NEVER BUILD IN A COLUMN OR UNDER COUNTER A FREE-STANDING CELLAR.**



REFERENCE : AVU8S82



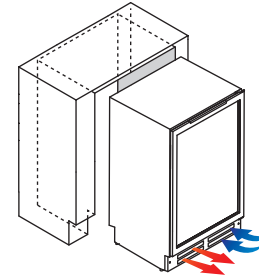
REFERENCES : AVU23TB1 ; AVU22TX1 ; AVU27D82



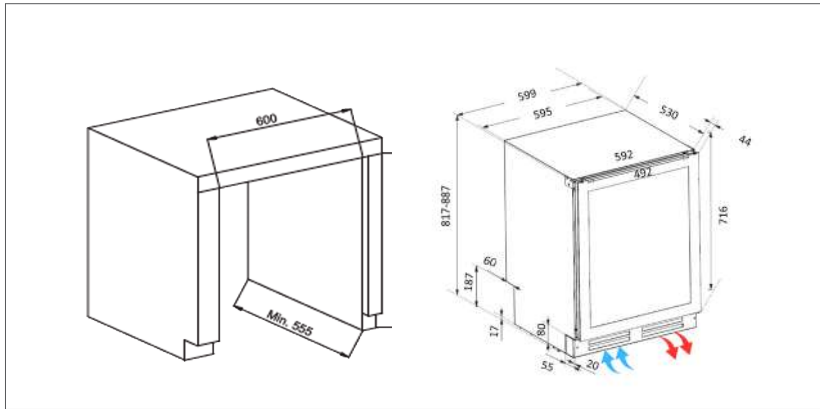
REFERENCE : AVU41D82

## BUILT - UNDER - COUNTER

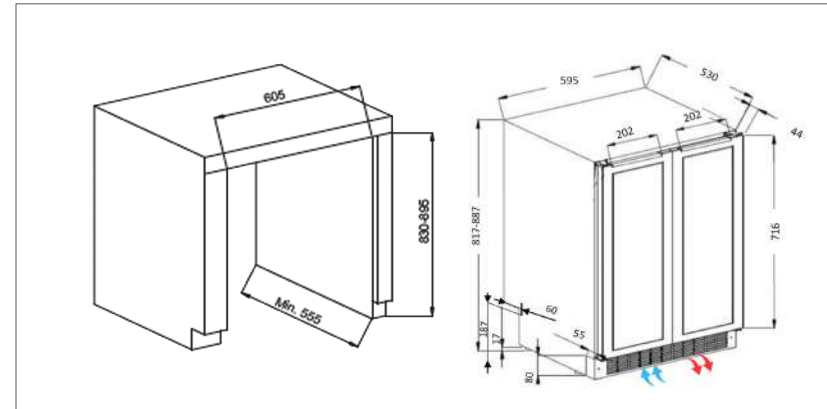
For the proper functioning of a built-under wine cellar, it is essential to provide low ventilation. Cold air enters through the ventilation grille in the lower part, transforms into hot air on contact with the cooling system and escapes again through the lower part.  
**NEVER BUILD IN A COLUMN OR UNDER COUNTER A FREE-STANDING CELLAR.**



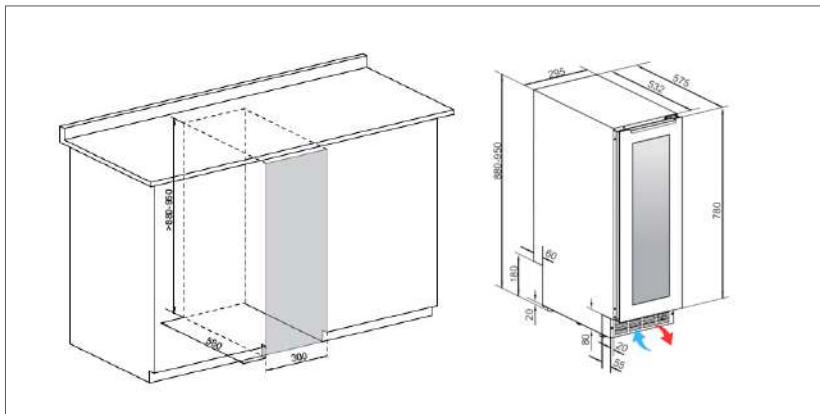
FLASH THE QR CODE AND  
 FIND ALL INSTALLATION  
 DIAGRAMS ONLINE



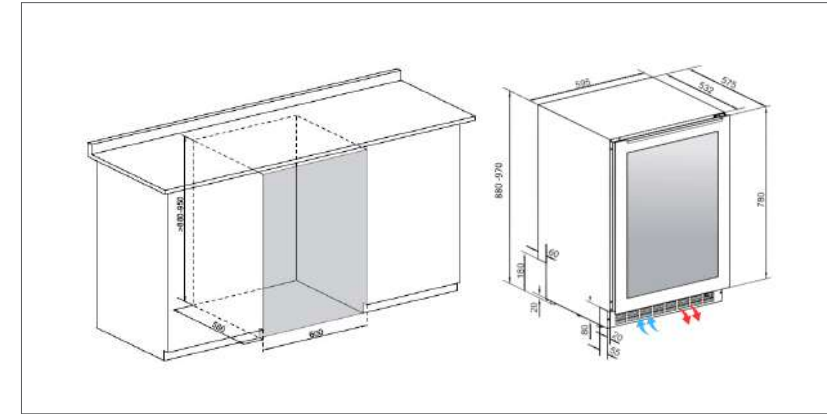
REFERENCES : AVU50S82; AVU51D82



REFERENCES : AVU49DPB1



REFERENCE : AVU31D88



REFERENCE : AVU61D88

**RESPECT BOTTOM VENTILATION.**

# BUILT-IN AND FREE-STANDING - Dual zone

**WHITE LED LIGHTING ON BOTH SIDES**

**SERVICE TEMPERATURE AREA 54 BOTTLES**

**55 CM DEPTH**

**AGEING AREA 55 BOTTLES**

**LOCK**

**SIDE LED LIGHTING 3 COLOURS**  
*Amber - Warm white - Cold white*

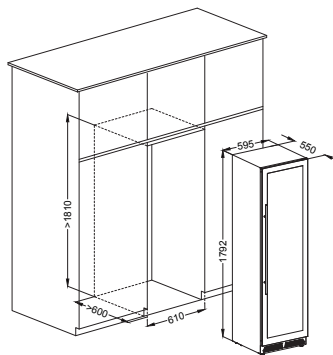
**AGEING TEMPERATURE AREA 71 BOTTLES**

**SERVICE TEMPERATURE AREA 60 BOTTLES**

**LOCK**

## INSTALLATION DIAGRAM

Ideal depth of 550 mm



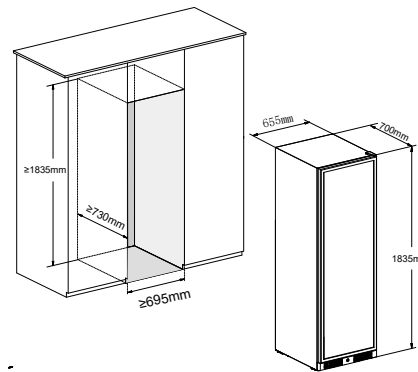
## AV1110DZB1



109 bottles  
38 dB  
Dual zone multi-purpose cellar

- 14 sliding wooden shelves
- Reversible door
- Adjustable temperature 5 - 12 °C / 12 - 20 °C
- Triple glazing with anti-UV treatment
- Charcoal filter
- W 59,5 x D 55,0 x H 179,2 cm

## INSTALLATION DIAGRAM



## GALLERY



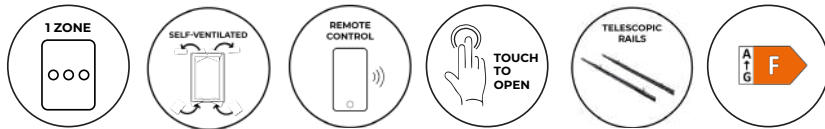
131 bottles  
39 dB  
Dual zone multi-purpose cellar

- 11 label view shelves on telescopic rails
- Reversible door
- Adjustable temperature 5 - 20 °C / 5 - 20 °C
- Double glazing with anti-UV treatment
- Charcoal filter
- W 65,5 x D 70,0 x H 183,5 cm

# AVI45CHEESE - Cheese cellar



- 52 liters
- 37 dB
- Column-integrable cheese cellar
- Single zone and remotely adjustable
- 2 small removable wooden trays on telescopic rails
- 1 large removable wooden tray on telescopic rails
- Water tank
- Reversible door
- Adjustable temperature: 5 – 20 °C
- Low-emissivity triple-glazed tempered glass with UV protection
- Charcoal filter
- W 59.0 × D 56.5 × H 45.5 cm



## THE ⊕ OF AVI45CHEESE

### CHARCOAL FILTER

For built-in models

### ADJUSTABLE LIGHTING

Color and intensity

### AUTO-VENTILATED SYSTEM

No built-in constraints

### REVERSIBLE TOUCH-TO-OPEN SYSTEM

For built-in models

### PANTOGRAPH HINGES

Offset opening

### TELESCOPIC RAILS

Ease of use

### REMOTE CONTROL

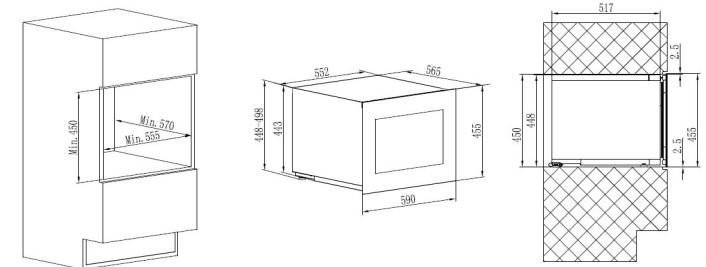
Temperature, alarm & lighting

## MY CHEESES ARE ALWAYS AT THE IDEAL TASTING TEMPERATURE

The ideal temperature for storing cheese is between **8 and 12°C**, with a high humidity level of **80 to 95%**, conditions that standard refrigerators do not provide, compare to the AVINTAGE cheese cellar.

**A cheese cellar therefore offers the following advantages:**

- Longer preservation than in a refrigerator
- Prevents drying thanks to optimal humidity
- Conditions similar to those used by professional cheese affineurs, allowing the cheese to continue to mature and develop its aromas and texture

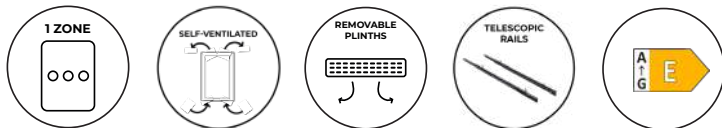


# AVU60VEGETAL - Vegetable cellar



130 liters  
39 dB  
Vegetable cellar, built-under counter  
Single-zone

- 2 drawers with dividers on telescopic rails
- Panel-ready doors
- Adjustable temperature: 0 to +18 °C
- White LED lighting with switch
- Charcoal filter
- W 59.5 × D 57.2 × H 82.0 cm



## MY VEGETABLES PRESERVE THEIR FRESHNESS AND RETAIN THEIR FLAVORS FOR LONGER

The ideal temperature for storing vegetables is comparable to that of traditional cellars or pantries: a cool and stable temperature, between 8 and 10°C, combined with high humidity levels above 90%. These are precisely the conditions offered by the AVINTAGE vegetable cellar.

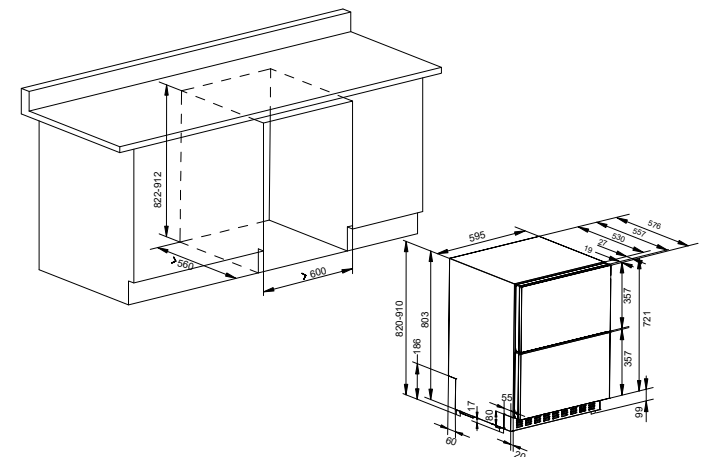
This controlled environment helps slow down the natural ageing process of vegetables, without altering their flavours, nutrients or texture. The vegetable cellar therefore provides a space specifically designed for optimal preservation.

The temperature setting can be adjusted from 0 to 18°C, allowing it to adapt to all types of vegetables as well as all types of fruit.



### THE ⊕ OF AVU60VEGETAL

- TEMPERATURE CONTROL**  
Precise temperature settings
- HUMIDITY CONTROL**  
Maintains a high level of humidity
- CHARCOAL FILTER**  
Eliminates odors
- REMOVABLE PLINTH**  
Alignment with baseboards
- REMOVABLE PLINTH**  
Maximum recess of 75 mm
- PLUMBING ACCESS**  
Facilitates rear installation



# SPECIFICATIONS

PRODUCT REFERENCE	USE	ZONES	REMOVED CONTROLLED	INSTALLATION	CAPACITY	NOISE LEVEL	ENERGY LEVEL	DIMENSIONS (WxDxH) CM	DOOR HEIGHT	SELF-VENTILATION	PANTOGRAPH HINGES	TELESCOPIC RAILS	CHARCOAL FILTER	NET/GROSS WEIGHT (KG)	REVERSIBLE DOOR	EAN CODE
AVI45PLATINUM	Service	1	Yes	Built-in 45 cm	21	37	F	59,0x56,5x45,5	-	Yes	Yes	Yes	Yes	36/40	Yes	3 595 320 107 890
AVI60PLATINUM	Service	2	Yes	Built-in 60 cm	24	37	F	59,0x56,5x59,5	-	Yes	Yes	Yes	Yes	45/50	Yes	3 595 320 107 906
AVI6075PLATINUM	Service	2	Yes	Built-in 60 cm	32	37	F	74,5x56,5x59,5	-	Yes	Yes	Yes	Yes	51/57	Yes	3 595 320 108 255
AVI88PLATINUM	Service	2	Yes	Built-in 88 cm	44	37	F	59,0x56,5x88,5	-	Yes	Yes	Yes	Yes	56/61	Yes	3 595 320 107 920
AVI98PLATINUM	Service	2	Yes	Built-in 98 cm	52	37	G	59,0x56,5x98,5	-	Yes	Yes	Yes	Yes	59/65	Yes	3 595 320 108 132
AVI105PLATINUM	Service	2	Yes	Built-in 105 cm	56	37	G	59,0x56,5x105,5	-	Yes	Yes	Yes	Yes	60/66	Yes	3 595 320 107 937
AVI122PLATINUM	Service	2	Yes	Built-in 122 cm	68	39	G	59,0x56,5x123,3	-	Yes	Yes	Yes	Yes	68/74	Yes	3 595 320 107 944
AVI178PLATINUM	Service	3	Yes	Built-in 178 cm	94	39	G	59,0x56,5x178,3	-	Yes	Yes	Yes	Yes	106/116	Yes	3 595 320 107 951
AVU50PLATINUM	Service	2	Yes	Built-under 60 cm	48	37	F	59,5x57,0x81,7	72 cm	-	Yes	Yes	No	46/50	No	3 595 320 108 040
AVU50PANEL	Service	2	Yes	Built-under 60 cm	48	37	F	59,5x57,0x81,7	72 cm	-	Yes	Yes	No	42/46	No	3 595 320 108 057
AVI72PLATINUM	Service	2	Yes	Built-in under counter 82 cm	29	37	F	59,0x56,5x71,5	72 cm	Yes	Yes	Yes	Yes	49/54	Yes	3 595 320 107 913
AVI78PLATINUM	Service	2	Yes	Built-in under counter 88 cm	35	36	G	59,0x56,5x77,8	78 cm	Yes	Yes	Yes	Yes	52/57,5	Yes	3 595 320 108 293
AVI63CSZF	Service	1	No	Built-in 60 cm	33	37	F	59,0x56,2x59,5	-	-	No	No	No	32/35	Yes	3 595 320 107 814
AVI60F2FV	Service	2	No	Built-in 60 cm	28	38	F	58,9x54,8x59,5	-	Yes	No	Yes	No	37,5/41	Yes	3 595 320 108 002
AVI88G2	Service	2	No	Built-in 88 cm	51	36	G	59,2x55,6x88,4	-	-	No	Yes	No	42,5/50	Yes	3 595 320 108 088
AVI105G2	Service	2	No	Built-in 105 cm	62	39	G	58,9x55,7x105,5	-	-	No	Yes	No	47,5/51	Yes	3 595 320 108 019
AVU8S82	Service	1	No	Built-under 15 cm	8	37	F	14,5x54,0x82,0/88,0	-	-	No	No	No	20/22	Yes	3 595 320 108 125
AVU22TX1	Service	1	No	Built-under 30 cm	22	37	F	29,5x57,4x81,7	72 cm	-	No	No	No	23/26	Yes	3 595 320 107 098
AVU23TB1	Service	1	No	Built-under 30 cm	22	37	F	29,5x57,4x81,7	72 cm	-	No	No	No	23/26	Yes	3 595 320 107 081
AVU27D82	Service	2	No	Built-under 30 cm	25	38	F	29,5x57,4x81,7	72 cm	-	No	No	No	26/30	Yes	3 595 320 108 026
AVU41D82	Service	2	Yes	Built-under 40 cm	29	38	F	29,5x57,4x81,7/88,0	72 cm	-	No	Yes	Yes	40/42	Yes	3 595 320 108 231
AVU49DPB1	Service	2	No	Built-under 60 cm	47	38	G	59,5x57,4x81,7	72 cm	-	No	No	No	46/50	No	3 595 320 107 111
AVU50S82	Service	1	No	Built-under 60 cm	44	38	F	59,5x57,4x81,7	72 cm	-	No	No	No	42/46	Yes	3 595 320 108 071
AVU51D82	Service	2	No	Built-under 60 cm	44	37	F	59,5x57,4x81,7	72 cm	-	No	Yes	No	42/46	Yes	3 595 320 108 064
AVU31D88	Service	2	Yes	Built-under 30 cm	18	37	F	29,5x57,5x88,0	78 cm	-	No	Yes	Yes	32/35	Yes	3 595 320 107 968
AVU61D88	Service	2	Yes	Built-under 60 cm	46	37	F	59,5x57,5x88,0	78 cm	-	No	Yes	Yes	56/60	Yes	3 595 320 107 975
AVI110DZB1	Ageing	2	No	Free-standing & Built-in	109	38	G	59,5x55,0x179,2	-	-	No	No	Yes	78/90	Yes	3 595 320 107 579
GALLERY	Ageing	2	No	Free-standing & Built-in	131	39	F	65,5x70,0x183,5	-	-	No	Yes	Yes	126/139	Yes	3 541 362 311 306
AVI45CHEESE	Cheese	1	Yes	Built-in 60 cm	52 L	37	F	59,0x56,5x45,5	45 cm	Yes	Yes	Yes	Yes	36/40	Yes	3 595 320 108 279
AVU60VEGETAL	Vegetable	1	No	Built-under 60 cm	130 L	39	E	59,5x57,2x82,0	72 cm	-	No	Yes	Yes	40,5/44,3	Yes	3 595 320 108 286

<sup>1</sup> Capacity defined as an indication with 75cl bottles of Bordeaux tradition. Adding shelves considerably reduces the storage capacity.

<sup>2</sup> Remotely Controlled with the Vinotag application.

avintage●●●

143, boulevard Pierre Lefauchaux  
72230 Arnage - France

[www.avintage.com](http://www.avintage.com)